

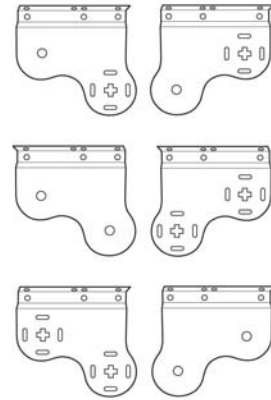
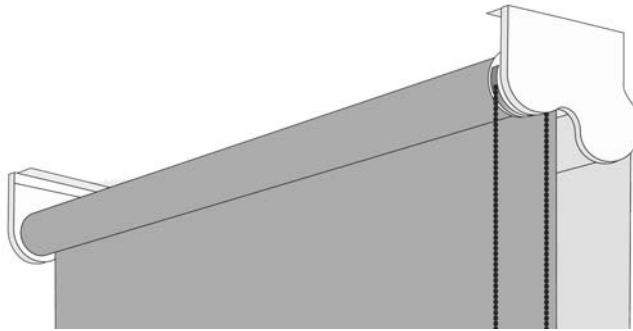
Product Cut Sheet: Chain Operated Clutch Dual Shade Accessories

This type of roller shade allows installation of a sunscreen shade and a room darkening shade on a single mounting bracket providing both light filtering and light blocking. The compact design of this bracket permits two shades to fit in a smaller room projection than two individually installed shades on the same window.

Dual Clutch Shade System without Fascia Valance Option

Roll: Available for regular roll or reverse roll
Color: White
Mount: Inside or Outside
Clutch: M16
Motor: DC
Control: Right/Right, Left/Left, or Right/Left Chain Controls
Minimum Width: 18"
Maximum Width: 96"
Bracket Dimensions: 4 1/2" Height x 4 1/2" Depth

Minimum Drop: 8"
Maximum Drop: 96" (Depending on fabric thickness)



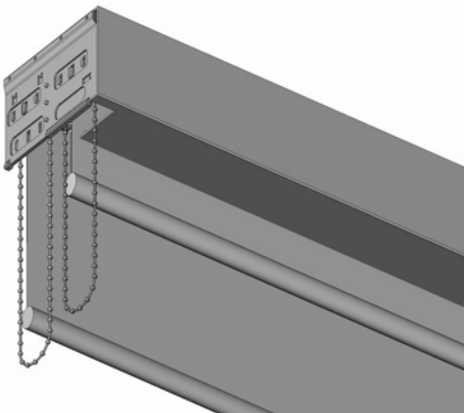
Product Cut Sheet: Chain Operated Clutch Dual Shade Accessories

This type of roller shade allows installation of a sunscreen shade and a room darkening shade on a single mounting bracket providing both light filtering and light blocking. The compact design of this bracket permits two shades to fit in a smaller room projection than two individually installed shades on the same window.

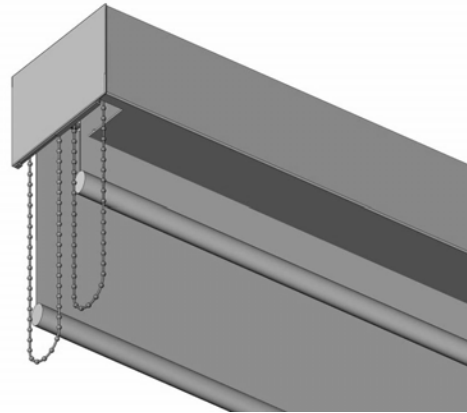
Dual Clutch Shade System with 4" Square Fascia Valance Option

Roll: Available for regular roll only
Color: Alabaster, Black, Bronze, Clear Anodized, & White
Mount: Inside or Outside
Clutch: M16
Motor: DC
Control: Right/Right or Left/Left Chain Controls
Minimum Width: 18"
Maximum Width: 240"
Bracket Dimensions: 4" Height x 5 3/4" Depth

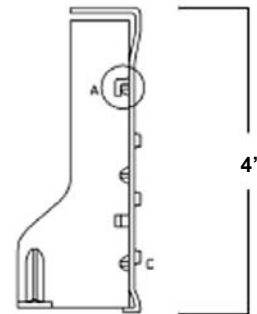
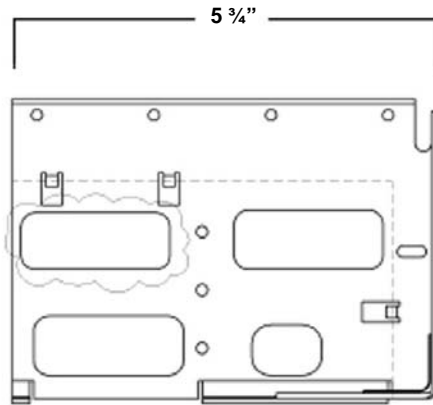
Minimum Drop: 8"
Maximum Drop: 96" (Depending on fabric thickness)



Dual Clutch Shade with 4" Square Fascia
(Shown without End Caps)



Dual Clutch Shade with 4" Square Fascia
(Shown with End Caps)



Product Cut Sheet: Chain Operated Clutch Dual Shade Accessories

This type of roller shade allows installation of a sunscreen shade and a room darkening shade on a single mounting bracket providing both light filtering and light blocking. The compact design of this bracket permits two shades to fit in a smaller room projection than two individually installed shades on the same window.

Dual Clutch Shade System with 7 1/2" Square Fascia Valance Option

Roll: Available for regular roll only
Color: Alabaster, Black, Bronze, Clear Anodized, & White
Mount: Inside or Outside
Clutch: Sunscreen Shade (Front) M24 & Room Darkening Shade (Back) M16
Motor: AC
Control: Right/Right or Left/Left Chain Controls
Minimum Width: 18"
Maximum Width: 240"
Bracket Dimensions: 7 1/2" Height x 5 3/4" Depth

